



STEALTH®

QUIET. POWERFUL. PROVEN.™

THE WORLD'S ONLY ULTRA-HIGH-EFFICIENCY TOILETS



0.8 GPF SINGLE FLUSH ELONGATED BOWL

BOWL - N7717 | TANK - N7714 | 12" Rough-In

FEATURES

- Quiet, powerful flush delivered with a patented Stealth flush chamber and air transfer system
- Reliable standard Fluidmaster fill valve
- One flush thoroughly evacuates the bowl every time, eliminating double flushing
- Smooth, low friction ceramic surface helps achieve a clear bowl every time
- Two-piece toilet
- Stylish, inconspicuous and durable flush button
- EZ Height design
- No flapper to cause leakage

SPECIFICATIONS

N7717 Bowl and N7714 Tank

Technology	Stealth
Flush Rate	0.8 GPF
MaP Performance Score	800g - MaP Premium
Efficiency Rating	UHET
ASME Certification	✓ A112.19.2
CSA Certification	✓ B45.1
WaterSense Labeled	✓
EZ Height	✓ 17"
Materials	Vitreous China
Finish Color	White

NOTE: EZ Height is only ADA Compliant with appropriate seat configuration.

MEASUREMENTS

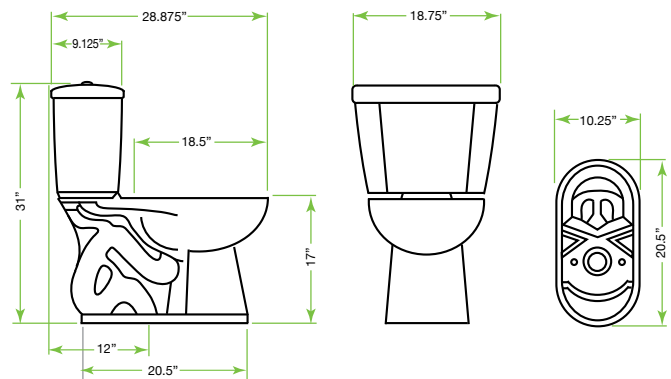
Bowl Dimensions: 14"W x 17"H x 28.5"D

Footprint: 20.5"L x 10.25"W

Water Spot: 8" x 6"

Assembled Dimensions: 18.75" W x 31" H x 28.875" D

Rough-In: 12"



NIAGARA
CONSERVATION®

*LIMITED LIFETIME WARRANTY on vitreous china products. Toilet tank trim: fill valve and flush valve assembly and plumbing fittings are warranted for a period of ten years to the purchaser from the date of purchase. Call Niagara Conservation for complete warranty details.

CORPORATE HQ 1200 Lakeside Parkway, Suite 450, Flower Mound, Texas 75028 USA
(t) 800.831.8383 (p) 817.391.0800 (f) 682.200.6962 (e) info@niagaracorp.com

© 2016 Niagara Conservation

niagaracorp.com

STEALTH® 0.8 GPF SINGLE FLUSH ELONGATED BOWL

RETAIL PACKAGING

77000WHA11 All-In-One

UPC Code 732291770002

Packaging Type High-Quality, White Corrugate With Litho Label

Dimensions 16.5" W
28.7" H
31.5" D

Weight (Pkg.) 101 lbs

BULK PACKAGING

N7717 Elongated

UPC Code 7322917717332

Packaging Type Kraft Corrugated

Dimensions 16" W
17.5" H
29.5" D

Weight (Pkg.) 40 lbs

Skid Quantity 18 or 12

N7714 Tank

UPC Code 732291771429

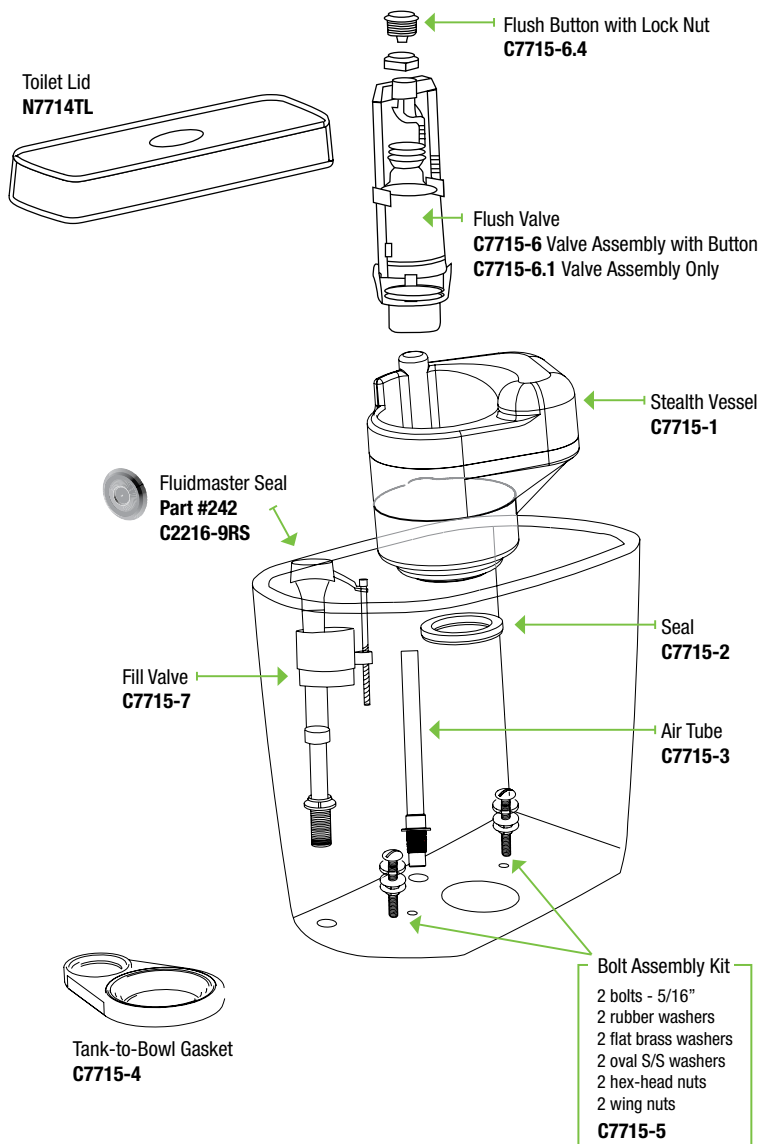
Packaging Type Kraft Corrugated

Dimensions 9.5" W
15.5" H
19" D

Weight (Pkg.) 37 lbs

Skid Quantity 30

ASSEMBLY / SPARE PARTS



INSTALLATION NOTES

Install this product according to the installation guide. For back-to-back toilet installations: Use only a 45° double wye fitting. Will comply with the Americans with Disabilities Act (ADA) when installed per the requirements of the 2010 ADA Standards of Accessible Design, Section 604 Water Closets, of the Act. The Model Plumbing Codes require the installation of elongated open-front toilet seats in public bathrooms. Will comply with CSA B651 when installed per Clause 4.3.6 of the standard. Will comply with OBC Barrier Free requirements when installed per Clause 3.8.3.8 and 3.8.3.9.